

BP432BX



BP432BX AC/DC

BP432BX Adaptive COT

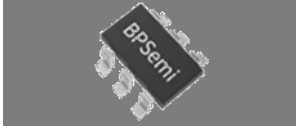
1.25 V
CCM DCM
3.3 V
70 kHz

BP432BX
FB

BP432BC /14 V BP432BD /23

V

BP432BX SOT23-6

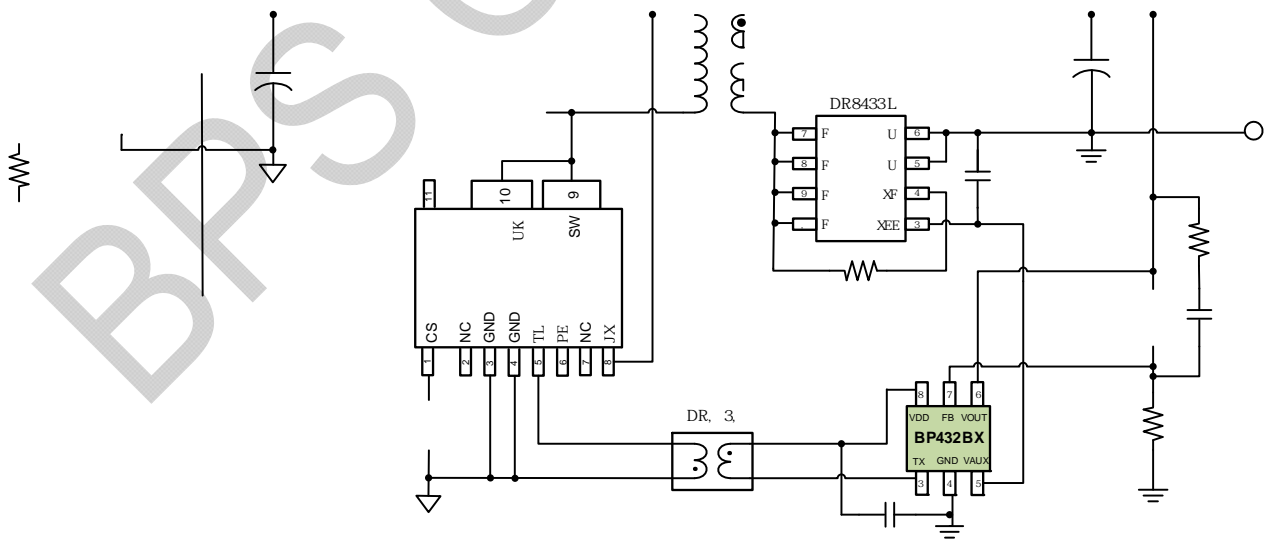


SOT23-6

-
- 1.25 V
- Adaptive COT
-
-
- CCM DCM
-
-

FB

- QC / USB PD / AC/DC
-
- AC/DC



1. BP432BX

BPS Confide



BPS Confidential