



# BP2861XJ

## Non-isolated Buck Offline LED Driver

### Description

BP2861XJ is a high precision Buck converter with integrated MOSFET and Superfast Recovery Diode. The device operates in critical conduction mode and is suitable for 85Vac~265Vac universal input offline LED lighting.

The BP2861XJ integrates a 500V power MOSFET, with gate driving technique. It doesn't need VCC capacitor and startup resistor. It can achieve excellent constant current performance with very few external components, so the system cost and size are greatly reduced.

BP2861XJ operates in critical conduction mode, it can achieve precise output current and excellent line regulation. The driver output current does not change with the inductance and output voltage.

The BP2861XJ offers protections to improve the system reliability, including LED short circuit protection, and thermal regulation function.

### Features

- The same pinning as BP2866XJ
- Integrated 600V Superfast Recovery Diode
- No VCC Capacitor and Startup Resistor
- Integrated UV-LED for IC Power Supply
- Configurable OVP by Resistor
- No flickers in parallel with several LEDs
- Enable function is compatible with switch color and sensor light
- $\pm 5\%$  LED Output Current Accuracy
- LED Short Protection
- Thermal Regulation Function
- Available in SOP7 Package



### Applications

- LED Bulb
- LED Tube
- Under Cabinet Lighting

### Typical Application

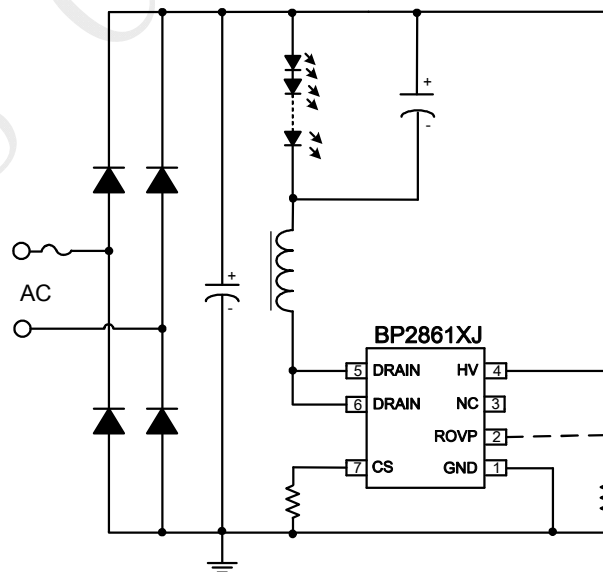


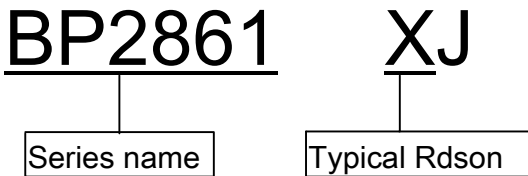
Figure 1. Typical application circuit for BP2861XJ



# BP2861XJ

## Non-isolated Buck Offline LED Driver

### Naming rules



### Marking Information

Part Number	Package	Packing Method	Marking
BP2861XJ	SOP7	Tape 4000Pcs/Reel	BP2861 XXXXXYX WXXXXYJ

### Pin Configuration and Marking Information

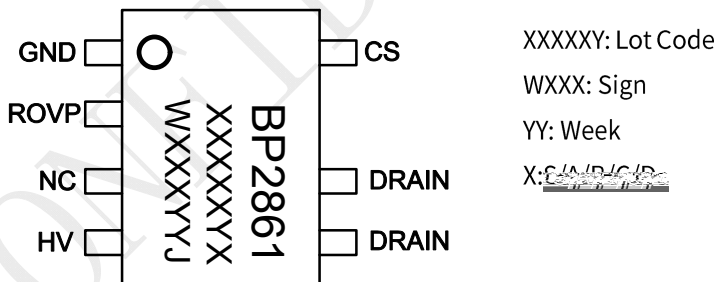


Figure 2. Pin configuration

### Pin Definition

Pin No.	Name	Description
1	GND	Ground
2	Rovp	OVP configure <del>here connect between this pin and GND pin.</del>
3	NC	Not connect
4	HV	<del>High voltage power supply pin.</del>
5,6	DRAIN	Internal HV Power MOSFET Drain
7	CS	Current Sense Pin. Connect a sense <del>resistor between this pin and GND pin.</del>



### Disclaimer

Confidential information is used in this datasheet. All information is provided in confidence and is the property of BPS. BPS reserves the right to make changes at any time without prior notice.

No license to any intellectual property right owned by BPS or any other third party is granted in and through this document. All provided information in this datasheet is provided with a caution: BPS makes no warranty, of the express or implied, including but not limited to, the accuracy of information provided in this datasheet, merchantability, fitness for a specific purpose, or non-infringement of intellectual property rights of BPS or any other third party. BPS shall be liable for all liabilities arising out of this datasheet or use of this datasheet, including without limitation consequential or incidental damages.